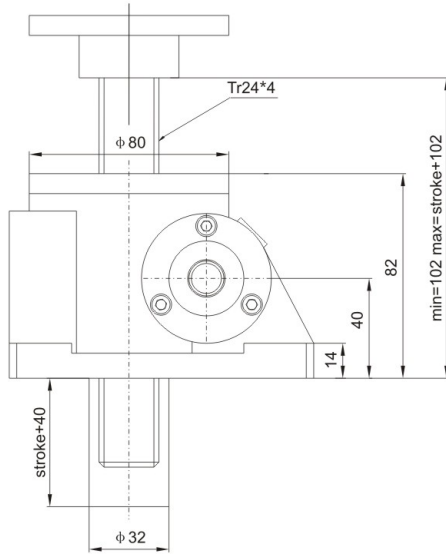




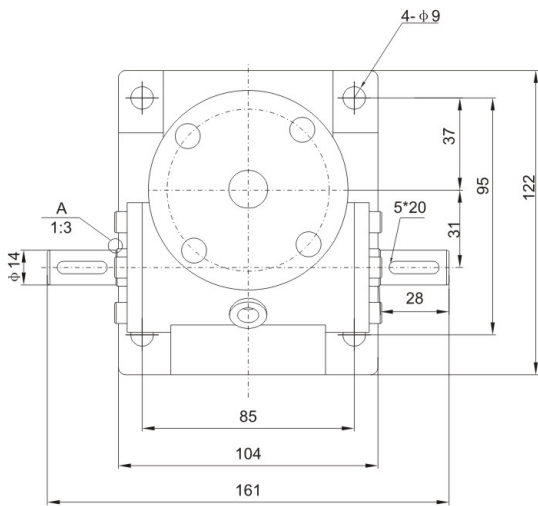
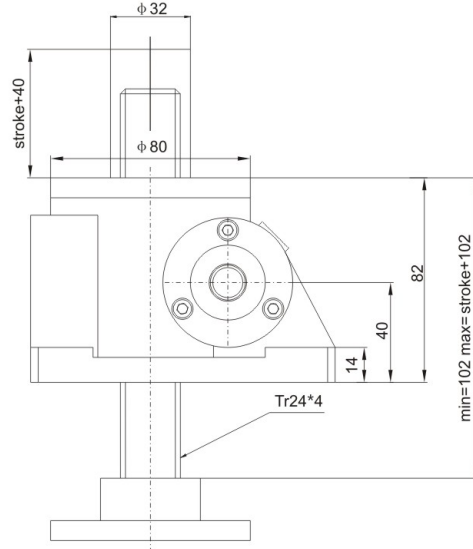
LINEAR MOTION

HK 1T Type 1 structure (screw lifting type)

1A Upright translating screw



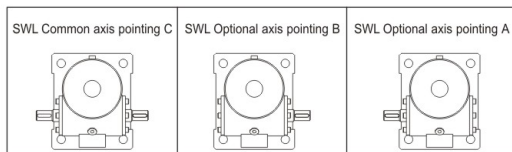
1B Inverted translating screw



A  
1:3



Shaft Direction

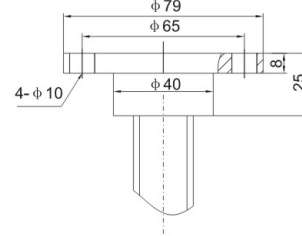


Screw head optional

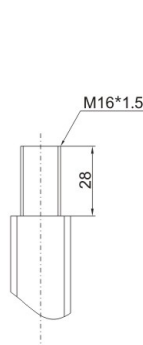
Type I



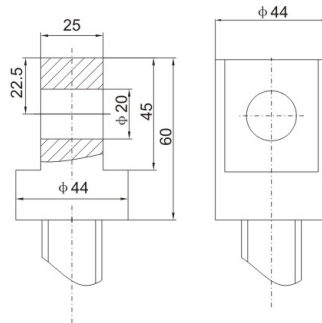
Type II



Type III



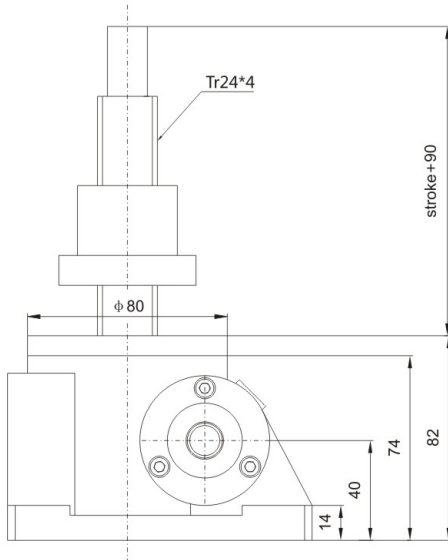
Type IV



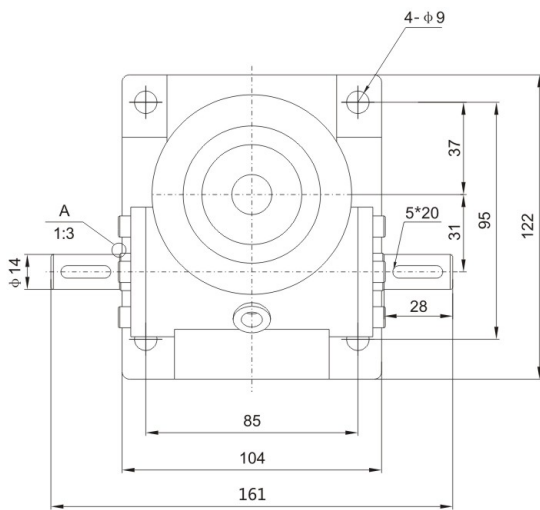
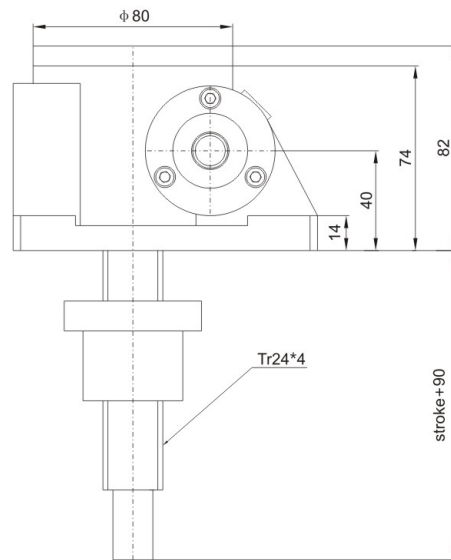


### HK 1T Type 2 construction (nut lifting )

2A Upright rotating screw



2B Inverted rotating screw



A  
1:3

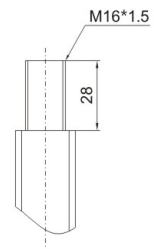


Screw head optional

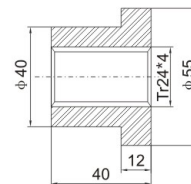
Type I



Type III



Type 2 screw nut



#### Shaft Direction

